



IVECO GROUP

MODEL	<b>HD9 66.42</b>
VERSION	6x6 CHASSIS
WHEELBASE	<b>4100+1450 mm overhang 1200 mm;</b>
CABIN	<b>DAY CAB – ACTIVE DAY (1 Driver + 1 Co-Driver)</b>
CABIN COLOUR	WHITE STANDARD
ENGINE	<b>IVECO CURSOR 13</b> , 6 cylinders in line. Total displacement 12.882 cm <sup>3</sup> , Euro3 emissions; Max power <b>420 HP (309Kw)</b> @1900 rpm, Torque 1900 Nm @ 1000-1440 rpm; Turbine WG Waste Gate Turbine; Vertical exhaust with muffler;
GEARBOX	<b>MANUAL ZF 16 S2520 TO</b> - 16 forward and 2 rear speeds
SUSPENSIONS	<b>FRONT Parabolic leaf springs, 5 leaves x size 24mm. x tick 90 mm (9 Tons)</b> <b>REAR Reinforced semi-elliptic suspensions, 10 leaves x size 25mm. x 100 mm.</b>
BRAKES	Front/rear drums brakes duo-duplex. <b>ABS+EBL + ASR + OFF ROAD MDOE</b>
DRIVE	<b>Left hand drive</b>
FUEL TANK	<b>300 LT</b>
REAR AXLE RATIO	<b>1: 5,009</b>
TOWING VERSION	<b>NO</b>
TYRES	<b>13R22.5 PIRELLI - ON/OFF ROAD TWINNED AT REAR</b>
GVW	<b>40 Tons (depending on pneus type and brand)</b>



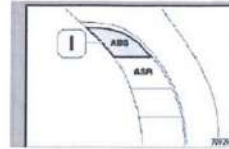
**SUPPLY STANDARD IVECO ASTRA HD9**

BATTERIES N° 2 - 180 Ah  
1ST AXLE WHEEL STUD PROTECTION  
STEEL FUEL TANK  
BRAKES AIR COMPRESSOR 630 cm<sup>3</sup>  
ABS  
AIR PLUG IN THE CAB  
AIR SUSPENDED DRIVER SEAT  
ALTERNATOR 90 Ah - 28V (2520 W)  
ATHERMIC WINDOWS  
COLD START KIT  
CRUISE CONTROL  
DECOMPRESSION ENGINE BRAKE  
DRY AIR FILTER WITH SAFETY CARTRIDGE  
DUO-DUPLEX DRUM BRAKES  
ELECTRIC WINDOWS  
ELECTRICAL PROVISION FOR BODYBUILDERS  
ELECTRONIC BRAKE LIMITATION (EBL)  
EURO3 COMPLIANT  
FRONT LIGHTS PROTECTION GRIDS  
FRONT MANOEUVERING HOOK  
HEATED GASOIL FILTER  
HELPER FRAME FOR FIFTH WHEEL  
HOUR METER  
HYDRAULIC JACK  
MANUAL BATTERY CUT-OFF  
MECHANICAL ADJUSTABLE STEERING WHEEL (HEIGHT AND INCLINATION)  
MIRRORS CE COMPLIANT  
PNEUMATIC SYSTEM AIR DRIER  
PROVISION FOR GEARBOX PTO CONTROL  
PROVISION RADIO AND CB  
REAR AXLE RATIO (To be confirmed in the order)  
REAR MUDGUARDS WITH SIDE AND REAR LAMPS  
SPARE WHEEL  
SPEED LIMITER (To be confirmed in the order)  
STATIC 2-WAY ADJUSTABLE PASSENGER SEAT  
TOOL KIT  
WHITE CAB HYDRAULIC TILT  
WITHOUT FIFTH WHEEL

**OPTIONALS INCLUDED**

- 002 AIR CONDITION
- 003 EXTERNAL SUNVISOR
- 052 REINFORCED REAR CONVENTIONAL SUSPENSION
- 077 FRONT AXLE REINFORCING PLATE
- 097 FRONT DIFFERENTIAL LOCK
- 253 SPEED LIMIT 1st THRESHOLD 90KM/H
- 260 NO SPEED LIMIT 2nd THRESHOLD
- 262 ABS + ASR + OFF ROAD MODE
- 274 FUEL PRE-FILTER
- 284 TYRE INFLATION HOSE
- 363 PLATE (ENGLISH LANGUAGE)
- 443 PROVISION FOR RADIO
- 444 PROVISION FOR ROTATING LIGHTS
- 086 PTO GEARBOX ZF NH/1C

**ABS OFF ROAD MODE  
OPT 092**



**(1) ABS OFF ROAD engagement function**  
 In particular road conditions (deep snow, mud, etc.) the braking of the vehicle can be improved by pressing the function key ABS OFF ROAD.  
 By pressing this button, the ABS system is:  
 • Inhibited up to **15 km/h**  
 • Able to operate between **15 - 40 km/h**  
 • Inhibited over **40 km/h**  
 The driver is alerted by activation of the warning light.  
 The ABS system reacts automatically each time the engine is started.

**DESCRIPTION:** Exclusion of ABS by pressing the relevant button. The ABS system reacts automatically each time the engine is started.

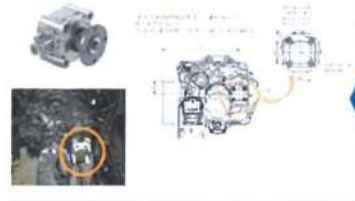
**FEATURES: ABS II**

- Excluded up to 15 km/h
- Made less sensitive between 15 - 40 km/h
- Re-enabled over 40 km/h

**APPLICATION / REGION**

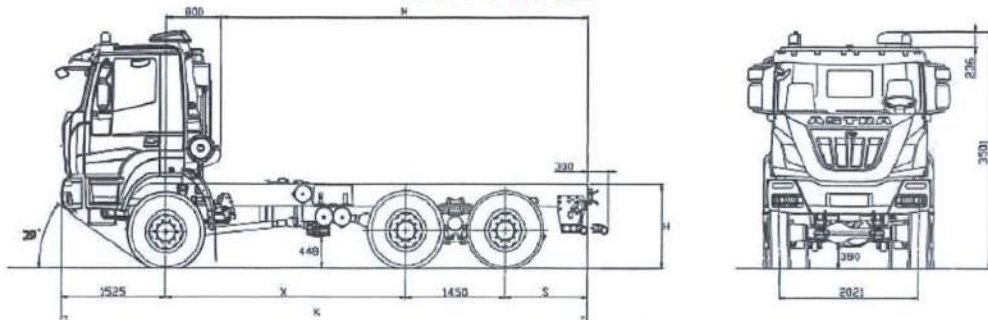
- particular road conditions (deep snow, mud, etc.)

**PTO GEARBOX ZF NH/1C PUMP  
OPT 086**



For additional information, please refer to the technical data sheet attached.

**chassis 6x6  
HD66.42**





Example of supply – Your supply it is intended with WHITE IC 194

**PRICE CONDITION FOR IVECO ASTRA CHASSIS CAB**

HD9 6x6 – 66.42 – 420 Hp E3 – Day Cab - LHD – Euro III

Wheelbase 4100 mm Rear Overhang 1200mm

ZF MANUAL GEARBOX WITH PTO INCLUDED

FRONT AXLE REINFORCED PLATE AND REAR AXLE REINFORCEMENT

DIFFERENTIAL LOCK

ASTRA STANDARD WHITE FRONT HOOD

13R22.5 PIRELLI - ON/OFF ROAD TWINNED AT REAR